



Thinking of you
Electrolux



ERF3864AOW
ERF3864AOX
ERF3864AOK

.....
EN REFRIGERATOR

.....
USER MANUAL



CONTENTS

1. SAFETY INSTRUCTIONS	3
2. CONTROL PANEL	5
3. DAILY USE	7
4. HELPFUL HINTS AND TIPS	9
5. CARE AND CLEANING	10
6. WHAT TO DO IF...	11
7. INSTALLATION	14
8. NOISES	17
9. TECHNICAL DATA	19

WE'RE THINKING OF YOU

Thank you for purchasing an Electrolux appliance. You've chosen a product that brings with it decades of professional experience and innovation. Ingenious and stylish, it has been designed with you in mind. So whenever you use it, you can be safe in the knowledge that you'll get great results every time.

Welcome to Electrolux.

Visit our website for:



Get usage advice, brochures, trouble shooter, service information:
www.electrolux.com



Register your product for better service:
www.electrolux.com/productregistration



Buy Accessories, Consumables and Original spare parts for your appliance:
www.electrolux.com/shop

CUSTOMER CARE AND SERVICE

We recommend the use of original spare parts.

When contacting Service, ensure that you have the following data available.

The information can be found on the rating plate. Model, PNC, Serial Number.



Warning / Caution-Safety information



General information and tips



Environmental information

Subject to change without notice.

1. SAFETY INSTRUCTIONS

In the interest of your safety and to ensure the correct use, before installing and first using the appliance, read this user manual carefully, including its hints and warnings. To avoid unnecessary mistakes and accidents, it is important to ensure that all people using the appliance are thoroughly familiar with its operation and safety features. Save these instructions and make sure that they remain with the appliance if it is moved or sold, so that everyone using it through its life will be properly informed on appliance use and safety.

For the safety of life and property keep the precautions of these user's instructions as the manufacturer is not responsible for damages caused by omission.

1.1 Children and vulnerable people safety

- This appliance is not intended for use by persons (including children) with reduced physical, sensory or mental capabilities, or lack of experience and knowledge, unless they have been given supervision or instruction concerning use of the appliance by a person responsible for their safety.

Children should be supervised to ensure that they do not play with the appliance.

- Keep all packaging well away from children. There is risk of suffocation.
- If you are discarding the appliance pull the plug out of the socket, cut the connection cable (as close to the appliance as you can) and remove the door to prevent playing children to suffer electric shock or to close themselves into it.
- If this appliance featuring magnetic door seals is to replace an older appliance having a spring lock (latch) on the door or lid, be sure to make that spring lock unusable before you discard the old appliance. This will prevent it from becoming a death trap for a child.

Keep ventilation openings, in the appliance enclosure or in the built-in structure, clear of obstruction.

- The appliance is intended for keeping foodstuff and/or beverages in a normal household and similar applications such as:
 - staff kitchen areas in shops, offices and other working environments;
 - farm houses and by clients in hotels, motels and other residential type environments;
 - bed and breakfast type environments;
 - catering and similar non-retail applications.
- Do not use a mechanical device or any artificial means to speed up the thawing process.
- Do not use other electrical appliances (such as ice cream makers) inside of refrigerating appliances, unless they are approved for this purpose by the manufacturer.
- Do not damage the refrigerant circuit.
- The refrigerant isobutane (R600a) is contained within the refrigerant circuit of the appliance, a natural gas with a high level of environmental compatibility, which is nevertheless flammable.

During transportation and installation of the appliance, be certain that none of the components of the refrigerant circuit become damaged.

If the refrigerant circuit should become damaged:

- avoid open flames and sources of ignition
- thoroughly ventilate the room in which the appliance is situated
- It is dangerous to alter the specifications or modify this product in any way. Any damage to the cord may cause a short-circuit, fire and/or electric shock.



WARNING!

Any electrical component (power cord, plug, compressor) must be replaced by a certified service agent or qualified service personnel to avoid hazard.

1.2 General safety



WARNING!

1. Power cord must not be lengthened.
 2. Make sure that the power plug is not squashed or damaged by the back of the appliance. A squashed or damaged power plug may overheat and cause a fire.
 3. Make sure that you can come to the mains plug of the appliance.
 4. Do not pull the mains cable.
 5. If the power plug socket is loose, do not insert the power plug. There is a risk of electric shock or fire.
 6. You must not operate the appliance without the lamp cover (if foreseen) of interior lighting.
- This appliance is heavy. Care should be taken when moving it.
 - Do not remove nor touch items from the freezer compartment if your hands are damp/wet, as this could cause skin abrasions or frost/freezer burns.
 - Avoid prolonged exposure of the appliance to direct sunlight.
 - Bulb lamps (if foreseen) used in this appliance are special purpose lamps selected for household appliances use only. They are not suitable for household room illumination.

1.3 Daily use

- Do not put hot pot on the plastic parts in the appliance.
- Do not store flammable gas and liquid in the appliance, because they may explode.
- Appliance's manufacturers storage recommendations should be strictly adhered to. Refer to relevant instructions.

1.4 Care and cleaning

- Before maintenance, switch off the appliance and disconnect the mains plug from the mains socket.
- Do not clean the appliance with metal objects.
- Regularly examine the drain in the refrigerator for defrosted water. If necessary, clean the drain. If the drain is blocked, water will collect in the bottom of the appliance.

1.5 Installation



For electrical connection carefully follow the instructions given in specific paragraphs.

- Unpack the appliance and check if there are damages on it. Do not connect the appliance if it is damaged. Report possible damages immediately to the place you bought it. In that case retain packing.
- It is advisable to wait at least four hours before connecting the appliance to allow the oil to flow back in the compressor.
- Adequate air circulation should be around the appliance, lacking this leads to overheating. To achieve sufficient ventilation follow the instructions relevant to installation.
- Wherever possible the back of the product should be against a wall to avoid touching or catching warm parts (compressor, condenser) to prevent possible burn.
- The appliance must not be located close to radiators or cookers.
- Make sure that the mains plug is accessible after the installation of the appliance.
- Connect to potable water supply only (if a water connection is foreseen).

1.6 Service


- Any electrical work required to do the servicing of the appliance should be carried out by a qualified electrician or competent person.
- This product must be serviced by an authorized Service Centre, and only genuine spare parts must be used.

1.7 Environment Protection

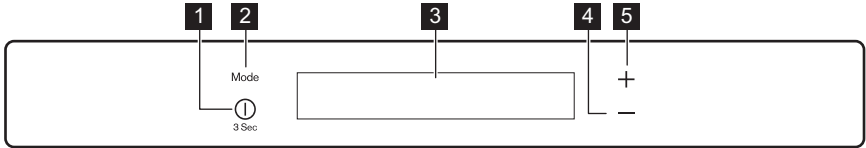


This appliance does not contain gasses which could damage the ozone layer, in either its refrigerant circuit or insulation materials. The appliance shall not be discarded together with the urban refuse and rubbish. The insulation foam contains flammable gases: the appliance shall be disposed according to the applicable regulations to

obtain from your local authorities. Avoid damaging the cooling unit, especially at the rear near the heat

exchanger. The materials used on this appliance marked by the symbol  are recyclable.

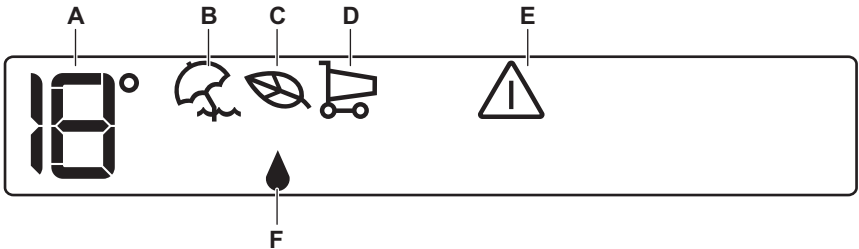
2. CONTROL PANEL



- 1** ON/OFF button
- 2** Mode button
- 3** Display
- 4** Temperature colder button
- 5** Temperature warmer button

It is possible to change predefined sound of buttons to a loud one by pressing together Mode and Temperature colder buttons for a few seconds. Change is reversible.

2.1 Display



- A)** Temperature indicator
- B)** Holiday Mode
- C)** Eco Mode
- D)** Shopping Mode
- E)** Door open alarm indicator
- F)** Extra Humidity mode

2.2 Switching on

To switch on the appliance do these steps:

- 1.** Connect the mains plug to the power socket.
- 2.** Press the ON/OFF button if the display is off.
- 3.** If DEMO appears on the display, the appliance is in demonstration mode. Refer to "What to do if..." paragraph.

- 4.** The temperature indicators show the set default temperature. To select a different set temperature refer to "Temperature regulation".

2.3 Switching off

To switch off the appliance do these steps:

- 1.** Press the ON/OFF button for 3 seconds.
- 2.** The display switches off.
- 3.** To disconnect the appliance from the power disconnect the mains plug from the power socket.

2.4 Temperature regulation

The set temperature of the fridge may be adjusted by pressing the temperature button.

Set default temperature: +4°C for the fridge.

The temperature indicator shows the set temperature.

The set temperature will be reached within 24 hours.



After a power failure the set temperature remains stored.

2.5 HolidayMode

This function allows you to keep the refrigerator closed and empty during a long holiday period without the formation of a bad smell.



The fridge compartment must be empty with holiday function on.

To switch on the function:

1. Press the Mode button until the corresponding icon appears.

The fridge temperature indicator shows the set temperature.

To switch off the function:

1. Press the Mode button in order to select another function or press the Mode button until you can see none of the special icons.



The function switches off by selecting a different fridge set temperature.

2.6 EcoMode

For optimal food storage select the EcoMode.

To switch on the function:

1. Press the Mode button until the corresponding icon appears.

The temperature indicator shows the set temperature:

- for the fridge: +4°C

To switch off the function:

1. Press the Mode button in order to select another function or press the Mode button until you can see none of the special icons.



The function switches off by selecting a different set temperature.

2.7 Extra Humidity Mode

If you need to increase the humidity in the refrigerator, we suggest activating the Extra Humidity function.

To switch on the function:

1. Press the Mode button until the corresponding icon appears.

To switch off the function:

1. Press the Mode button in order to select another function or press the Mode button until you can see none of the special icons.

2.8 ShoppingMode

If you need to insert a large amount of warm food, for example after doing the grocery shopping, we suggest activating the ShoppingMode to chill the products more rapidly and to avoid warming the other food which is already in the refrigerator.

To switch on the function:

1. Press the Mode button until the corresponding icon appears.

The ShoppingMode shuts off automatically after approximately 6 hours.

To switch off the function before its automatic end:

1. Press the Mode button in order to select another function or press the Mode button until you can see none of the special icons.



The function switches off by selecting a different fridge set temperature.

2.9 Door open alarm

An acoustic alarm will sound if the door is left open for a few minutes. The door open alarm conditions are indicated by:

- flashing Alarm indicator
- acoustic buzzer

When normal conditions are restored (door closed), the alarm will stop.

During the alarm, the buzzer can be switched off by pressing any button.

3. DAILY USE

3.1 Use of the fridge compartment

The temperature of this compartment may be regulated between +2°C and +8°C. During normal functioning the indicator shows the set temperature.



A medium setting is generally the most suitable.

The exact setting should be chosen keeping in mind that the temperature inside the appliance depends on:

- room temperature
- how often the door is opened
- the quantity of food stored
- the location of the appliance.



If the ambient temperature is high or the appliance is fully loaded, and the appliance is set to the lowest temperatures, it may run continuously causing frost to form on the rear wall. In this case the Temperature regulator must be set to a higher temperature to allow automatic defrosting and therefore reduced energy consumption.

3.2 Taste Guard Filter

Your appliance is equipped with a carbon filter behind the air lever flap.

The filter purifies the air from unwanted odours in the fridge compartment preserving food quality.

On delivery the filter is in a plastic bag. Refer to "Installation of the Taste Guard filter" for instructions.



Make sure that the air lever flap is closed to obtain proper function.

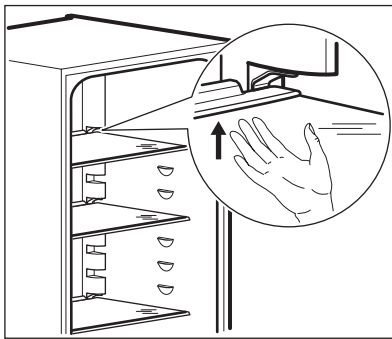
3.3 Vegetable Drawer

The drawer is suitable for storing fruit and vegetables.

Some models have a separator inside the drawer that can be placed in different positions to allow for the subdivision best suited to personal needs.

All parts inside the drawer can be removed for cleaning purposes.

3.4 Movable shelves

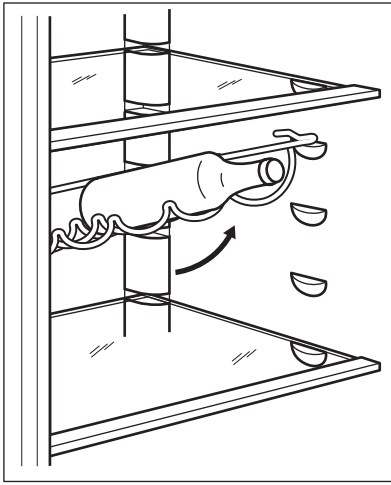


The walls of the refrigerator are equipped with a series of shelves support so that the shelves can be positioned as desired. Some shelves must be lifted up by the rear edge to enable them to be removed.



Do not move the glass shelf above the vegetable drawer to ensure correct air circulation.

3.5 Bottle rack



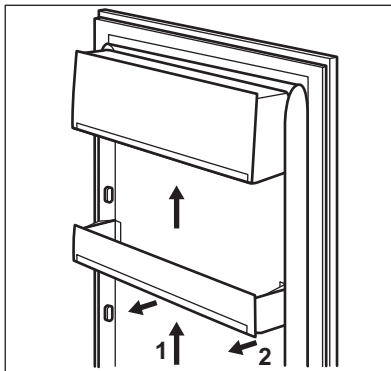
Place the bottles (with the opening facing front) in the pre-positioned shelf.



If the shelf is positioned horizontally, place only closed bottles.

This bottle holder shelf can be tilted in order to store previously opened bottles. To obtain this result, pull the shelf up so it can rotate upwards and be placed on the next higher level.

3.6 Positioning the door shelves



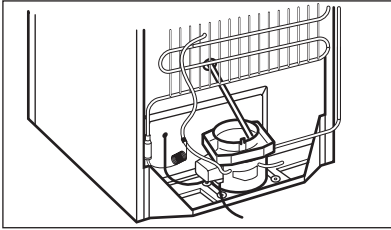
To permit storage of food packages of various sizes, the door shelves can be placed at different heights.

To make these adjustments proceed as follows: gradually pull the shelf in the direction of the arrows until it comes free, then reposition as required.



Do not move the big lower door shelf to ensure correct air circulation.

3.7 Cleaning the interior



Before using the appliance for the first time, wash the interior and all internal accessories with lukewarm water and neutral soap so as to remove the typical smell of a brand-new product, then dry thoroughly.



Do not use detergents or abrasive powders, as these will damage the finish.

Check that the drain hose at the rear of the cabinet discharges into the drip tray.

4. HELPFUL HINTS AND TIPS

4.1 Hints for energy saving

- Do not open the door frequently or leave it open longer than absolutely necessary.
- If the ambient temperature is high and the Temperature Regulator is set to low temperature and the appliance is fully loaded, the compressor may run continuously, causing frost or ice on the evaporator. If this happens, set the Temperature Regulator toward warmer settings to allow automatic defrosting and so a saving in electricity consumption.

4.2 Hints for fresh food refrigeration

To obtain the best performance:

- do not store warm food or evaporating liquids in the refrigerator
- do cover or wrap the food, particularly if it has a strong flavour
- position food so that air can circulate freely around it

4.3 Hints for refrigeration

Useful hints:

Meat (all types) : wrap in polythene bags and place on the glass shelf above the vegetable drawer.

For safety, store in this way only one or two days at the most.

Cooked foods, cold dishes, etc.: these should be covered and may be placed on any shelf.

Fruit and vegetables: these should be thoroughly cleaned and placed in the special drawer(s) provided.

Butter and cheese: these should be placed in special airtight containers or wrapped in aluminium foil or polythene bags to exclude as much air as possible.

Milk bottles: these should have a cap and should be stored in the bottle rack on the door.

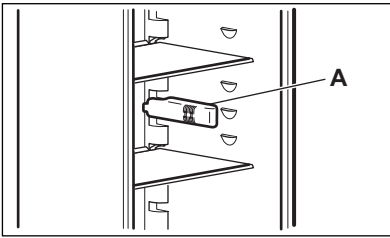
Bananas, potatoes, onions and garlic, if not packed, must not be kept in the refrigerator.

4.4 Hints for temperature inside the fridge

- A suitable temperature inside the fridge is approx. +4° C. When the temperature regulator is set to +4° C this represents the mean temperature in the fridge. It is normal with higher temperature in the top of the fridge. If the temperature regulator is set to a cold temperature, the ambient temperature is high or if the fridge is fully loaded the compressor will run for a longer time. If too cold, change to a higher temperature setting.



Do not place food against or close to the temperature sensor (A). This can result in too cold temperatures.



- If you want to check the temperature of food stored in the refrigerator, place a glass of water centrally in the cabinet, and put a proper thermometer with an accuracy of ± 1 °C into it. After 6 hours the temperature can be monitored. The measuring shall be performed under steady-stated conditions (without changing the load).

5. CARE AND CLEANING



CAUTION!

Unplug the appliance before carrying out any maintenance operation.



This appliance contains hydrocarbons in its cooling unit; maintenance and recharging must therefore only be carried out by authorized technicians.

5.1 Periodic cleaning

The equipment has to be cleaned regularly:

- clean the inside and accessories with lukewarm water and some neutral soap.
- regularly check the door seals and wipe clean to ensure they are clean and free from debris.
- rinse and dry thoroughly.



Do not pull, move or damage any pipes and/or cables inside the cabinet.

Never use detergents, abrasive powders, highly perfumed cleaning products or wax polishes to clean the interior as this will damage the surface and leave a strong odor.

Clean the condenser (black grill) and the compressor at the back of the appliance with a brush. This operation will improve the performance of the appliance and save energy consumption.



Take care of not to damage the cooling system.



When moving the cabinet, lift it by the front edge to avoid scratching the floor.

Many proprietary kitchen surface cleaners contain chemicals that can attack/damage the plastics used in this appliance. For this reason use a soft cloth rinsed in warm water and neutral soap emulsion for cleaning external surfaces.



Do not use detergents or abrasive paste as these will damage the paint, or stainless steel anti finger print coating.

After cleaning, reconnect the equipment to the mains supply.

5.2 Replacing the Taste Guard filter

To get the best performance the Taste Guard filter should be replaced once every year.

New active filters can be purchased from your local dealer.

Refer to "Installation of the Taste Guard filter" for instructions.

5.3 Periods of non-operation

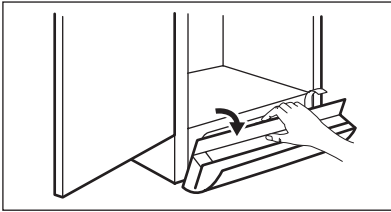
When the appliance is not in use for long periods, take the following precautions:

1. disconnect the appliance from electricity supply
2. remove all food
3. defrost and clean the appliance and all accessories
4. leave the door/doors open to prevent unpleasant smells.



If the cabinet will be kept on, ask somebody to check it once in a while to prevent the food inside from spoiling in case of a power failure.

5.4 Cleaning the ventilation grille

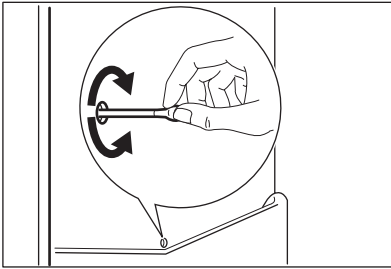


The ventilation grille can be removed for washing.

Make sure the door is open and then:

- Loosen the upper edge of the grille by pulling outward/downward.
- Pull the grille straight out to completely remove it.
- Vacuum clean under the cabinet.

5.5 Defrosting the refrigerator



Frost is automatically eliminated from the evaporator of the refrigerator compartment every time the motor compressor stops, during normal use. The defrost water drains out through a drain hole into a special container at the back of the appliance, over the motor compressor, where it evaporates.

It is important to periodically clean the defrost water drain hole in the middle of the refrigerator compartment channel to prevent the water overflowing and dripping onto the food inside.

6. WHAT TO DO IF...

During operation of the appliance some smaller but annoying trouble may occur. They do not require calling out a technician. The following chart presents information which will help to avoid unnecessary charges on service.



Normal operation of the appliance generates some sounds (compressor and circulation sounds).



The appliance operates discontinuously, so the stopping of the compressor does not mean power failure. That is why you must not touch the electrical parts of the appliance before breaking the circuit.

Problem	Possible cause	Solution
The appliance is noisy.	The appliance is not supported properly.	Check if the appliance stands stable (all feet and wheels should be on the floor). Refer to "Levelling".
The buzzer sounds. The Alarm icon is flashing.	The door is not closed correctly.	Refer to "Door open alarm".
Upper or lower square is shown in the temperature display.	An error has occurred in measuring the temperature.	Call your service representative (the cooling system will continue to keep food products cold, but temperature adjustment will not be possible).
The compressor runs continuously.	The Temperature regulator may be set incorrectly.	Set a higher temperature.
	The door is not closed correctly.	Refer to "Closing the door".
	The door has been opened too frequently.	Do not keep the door open longer than necessary.
	The food temperature is too high.	Let the food temperature decrease to a room temperature before storage.
	The room temperature is too high.	Decrease the room temperature.
Water flows inside the refrigerator.	The water outlet is clogged.	Clean the water outlet.
	Food blocks the water passage to the water collector.	Make sure that food does not touch the rear plate.
Water flows on the ground.	The melting water outlet does not flow in the evaporative tray above the compressor.	Attach the melting water outlet to the evaporative tray.
The temperature in the appliance is too low.	The Temperature regulator may be set incorrectly.	Set a higher temperature.
The temperature in the appliance is too high.	The Temperature regulator may be set incorrectly.	Set a lower temperature.
	The door is not closed correctly.	Refer to "Closing the door".
	The food temperature is too high.	Let the food temperature decrease to room temperature before storage.

Problem	Possible cause	Solution
The temperature in the refrigerator is too high.	There is no cold air circulation in the appliance.	Make sure that there is cold air circulation in the appliance.
	Large quantities of food to be cooled were put in at the same time.	Insert smaller quantities of food to be cooled at one time.
The appliance does not operate.	The appliance is switched off.	Switch on the appliance.
	The mains plug is not connected to the mains socket correctly.	Connect the mains plug to the mains socket correctly.
	The appliance has no power. There is no voltage in the mains socket.	Connect another electrical appliance to the mains socket. Check the fuses. Contact a qualified electrician.
The lamp does not work.	The lamp is defective.	Refer to "Replacing the lamp".
	The door has been open too long.	Close the door.
Door interferes with ventilation grill.	The appliance is not levelled.	Refer to "Levelling".
Misaligned door.	The appliance is not levelled.	Refer to "Levelling".
DEMO appears on the Display.	The appliance is in demonstration mode (DEMO).	Keep the Mode button pressed for approximately 10 seconds until a long sound of buzzer is heard and the Display shuts off for a short while. The appliance should start work regularly.

If the advice does not lead to the desired result, call the nearest brand-mark service.

6.1 Replacing the lamp

The appliance is equipped with a longlife LED interior light.
Only service is allowed to replace the lighting device. Contact your Service Center .

2. If necessary, adjust the door. Refer to "Installation".

3. If necessary, replace the defective door gaskets. Contact the Service Center.

6.2 Closing the door

1. Clean the door gaskets.

7. INSTALLATION



WARNING!

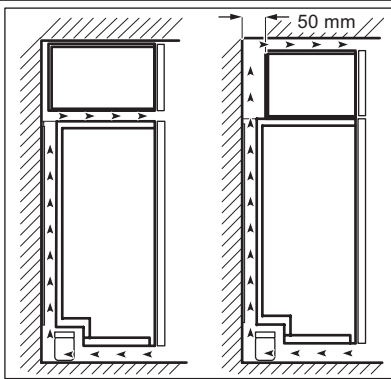
Read the "Safety Information" carefully for your safety and correct operation of the appliance before installing the appliance.

7.1 Positioning

Install this appliance at a location where the ambient temperature corresponds to the climate class indicated on the rating plate of the appliance:

Cli- mate class	Ambient temperature
SN	+10°C to + 32°C
N	+16°C to + 32°C
ST	+16°C to + 38°C
T	+16°C to + 43°C

7.2 Location



To ensure best performance, if the appliance is positioned below an overhanging wall unit, the minimum distance between the top of the cabinet and the wall unit must be at least 40 mm. Ideally, however, the appliance should not be positioned below overhanging wall units.

The ventilation space can be:

- directly above the appliance
- behind and above the top cupboard.

In this case, the space behind the top cupboard must be at least 50 mm deep.

7.3 Electrical connection

Before plugging in, ensure that the voltage and frequency shown on the rating plate correspond to your domestic power supply.

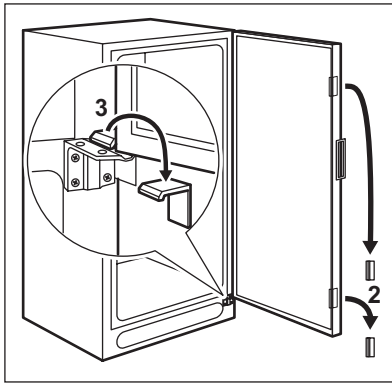
The appliance must be earthed. The power supply cable plug is provided with a contact for this purpose. If the domestic

power supply socket is not earthed, connect the appliance to a separate earth in compliance with current regulations, consulting a qualified electrician.

The manufacturer declines all responsibility if the above safety precautions are not observed.

This appliance complies with the E.E.C. Directives.

7.4 Removing the transport support



Your appliance is equipped with transport support to secure the door during transportation.

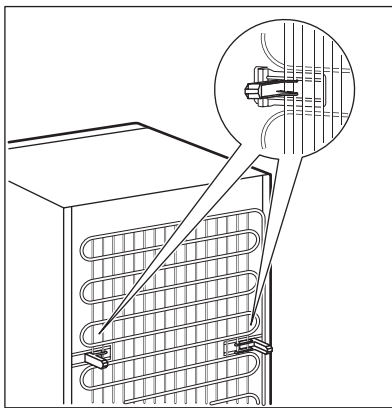
To remove them do these steps:

- Open the door.
- Remove the transport support from the door sides.
- Remove the transport support from the lower hinge (some models).



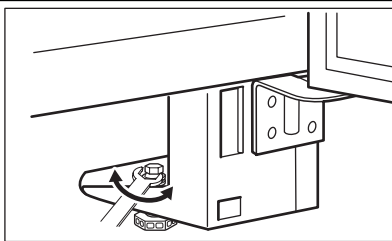
Some models are fitted with a silencing pad under the cabinet. Do not remove this pad.

7.5 Rear spacers



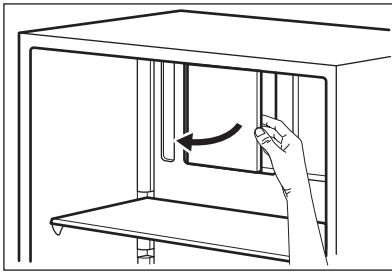
- Install the spacers provided within the accessory bag as shown in the figure.
- Install the spacers on the brackets of the condenser (black grill) at the back of the appliance.

7.6 Levelling



When placing the appliance ensure that it stands level. If necessary adjust the feet using the adjustment spanner supplied.

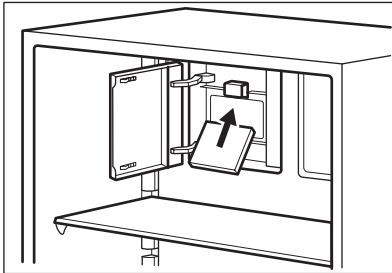
7.7 Installation of the Taste Guard filter



The Taste Guard filter is an active carbon filter which absorbs bad odors maintain the best flavour and aroma for all food-stuffs without risk of odor cross contamination.

On delivery the carbon filter is in a plastic bag to preserve performance.

- Open the air lever flap.
- Take the filter out of the plastic bag.



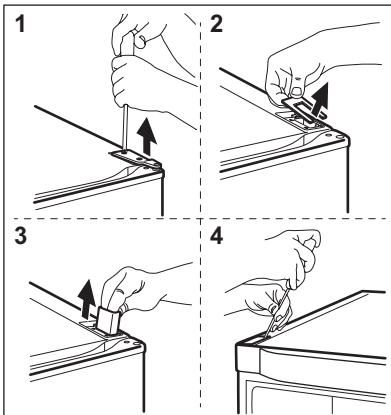
- Insert the filter in the slot found in the back of the air lever flap.
- Close the air lever flap.



The filter should be handled carefully so fragments do not loosen from the surface.

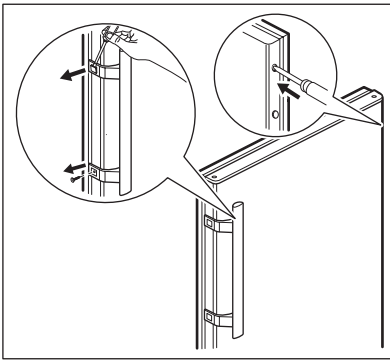
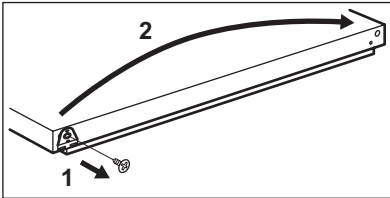
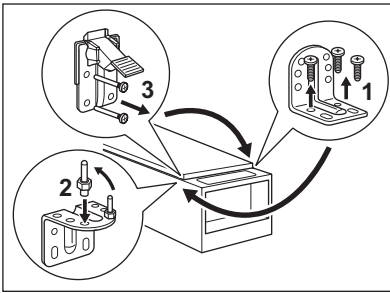
Make sure that the air lever flap is closed to obtain proper function.

7.8 Door reversibility



To change the opening direction of the door, do these steps:

- Remove the plug from the power.
- Remove the ventilation grille. Remove the upper filling and install it on the opposite side of the grille.
- Remove the pedal hole cover and install the cover provided in the accessory bag on the opposite side.
- Lay down the appliance back side down on a wooden support.
- Unscrew the hinge (1) and remove the cover plate (2) and the support (3).
- Remove the cover (4) on the opposite side and install the support (3) the cover plate (2) and the hinge (1). Install the cover (4) on the opposite side.



- Unscrew the lower hinge (1). Move the pin to the opposite side (2).
- Unscrew and move the pedal to the opposite side (3).

- Unscrew (1) and move (2) the bracket to the other side on the door.
- Screw on the lower hinge on the opposite side.
- Tighten the pin with the adjustment spanner supplied.
- Raise the appliance and install the ventilation grill.

- Remove the covers on the handles carefully with a small screwdriver.
- Unscrew the handle.
- On the opposite side remove the hole covers by driving a 3–4 mm drift or drill into them.
- Install the handle.
- Install the covers on the handle.
- Install the hole covers provided within the accessory bag.
- Put the cabinet in position.



WARNING!

Reposition, level the appliance, wait for at least four hours and then connect it to the power socket.

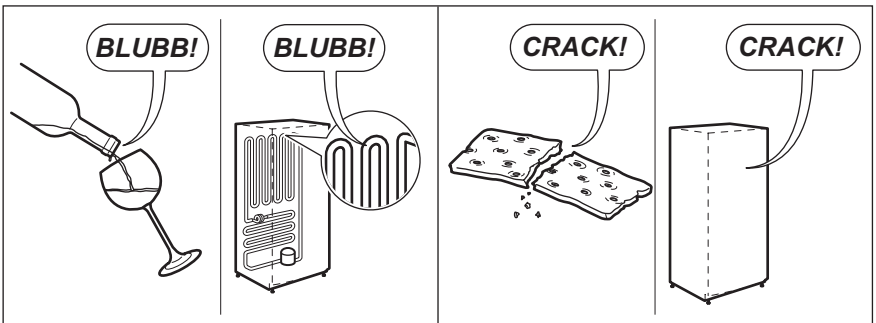
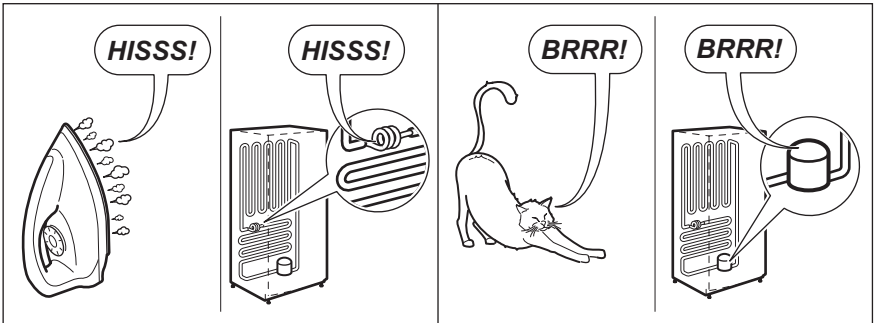
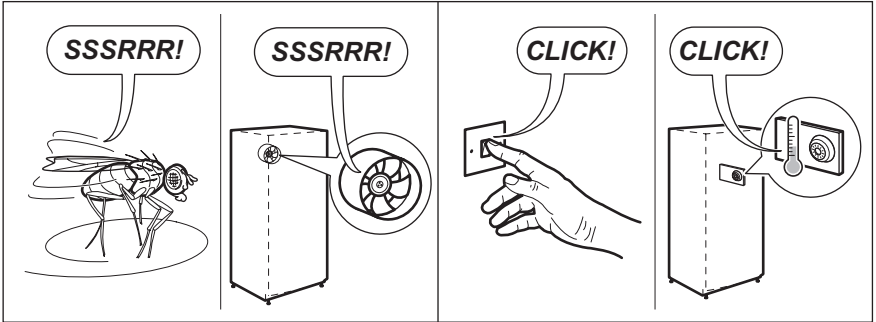
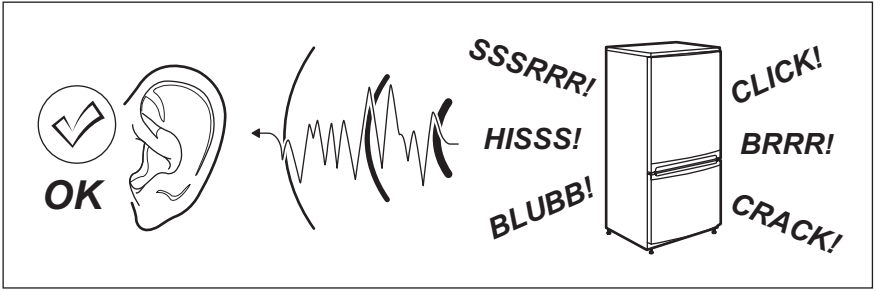
Do a final check to make sure that:

- All screws are tightened.

- The magnetic seal adheres to the cabinet.
- The door opens and closes correctly. If the ambient temperature is cold (i.e. in Winter), the gasket may not fit perfectly to the cabinet. In that case, wait for the natural fitting of the gasket.

8. NOISES

There are some sounds during normal running (compressor, refrigerant circulation).





9. TECHNICAL DATA

Dimension		
Height		1800 mm
Width		595 mm
Depth		623 mm
Voltage		230 V
Frequency		50 Hz

The technical information are situated in the rating plate on the internal left side of the appliance and in the energy label.

10. ENVIRONMENT CONCERNS

Recycle the materials with the symbol . Put the packaging in applicable containers to recycle it. Help protect the environment and human health and to recycle waste of electrical

and electronic appliances. Do not dispose appliances marked with the symbol  with the household waste. Return the product to your local recycling facility or contact your municipal office.

www.electrolux.com/shop



298376966-C-512012